

Installation Guide



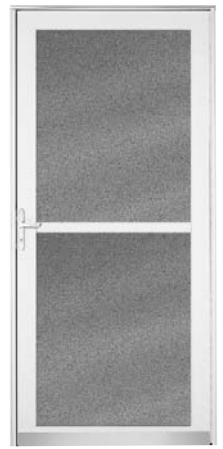
**Deluxe Thermal
Brass or Nickel**



**Deluxe Thermal
Fullview**



Deluxe Fullview



**Deluxe Triple
Track**

IMPORTANT: READ ENTIRE GUIDE BEFORE BEGINNING INSTALLATION.

PLEASE NOTE: Proper assembly, installation and maintenance are essential if the benefits of your Andersen® product are to be fully attained. Therefore, please read and follow this Installation Guide completely. If your abilities do not match this procedure's requirements, contact an experienced contractor.

Every assembly and installation is different (wind load, structural support, etc.). Andersen strongly recommends consultation with an Andersen supplier or an experienced contractor, architect or structural engineer prior to the assembly and installation of any product. Andersen has no responsibility in regard to the post-manufactured assembly and installation of Andersen products.

To ensure limited warranty protection, register your door now at allseasonsdoors.com. This product is covered by Andersen's All Seasons® Doors product limited warranty.*

PLEASE DO NOT return this product to store! **You may direct any questions to the Service Hotline at 1-800-933-3626, Monday through Friday, 7 a.m. to 7 p.m. Central Time, and Saturday and Sunday, 8 a.m. to 5 p.m. Central Time.**

⚠ WARNING:
Improper use of hand or power tools could result in personal injury and/or product damage. Follow equipment manufacturer's instructions for safe operation. Always wear safety glasses.

⚠ WARNING:
Weight of window and door unit(s) and accessories will vary. Use a reasonable number of people with sufficient strength to lift, carry, and install window and door unit(s) and accessories. Always use appropriate lifting techniques.

IMPORTANT INFORMATION ABOUT YOUR DOOR'S SERIAL NUMBER.

INSTALLER: DO NOT REMOVE SERIAL NUMBER FROM DOOR.

GIVE THIS ENTIRE INSTALLATION GUIDE TO HOMEOWNER.

HOMEOWNER: Keep this installation guide for future reference.

IMPORTANT:

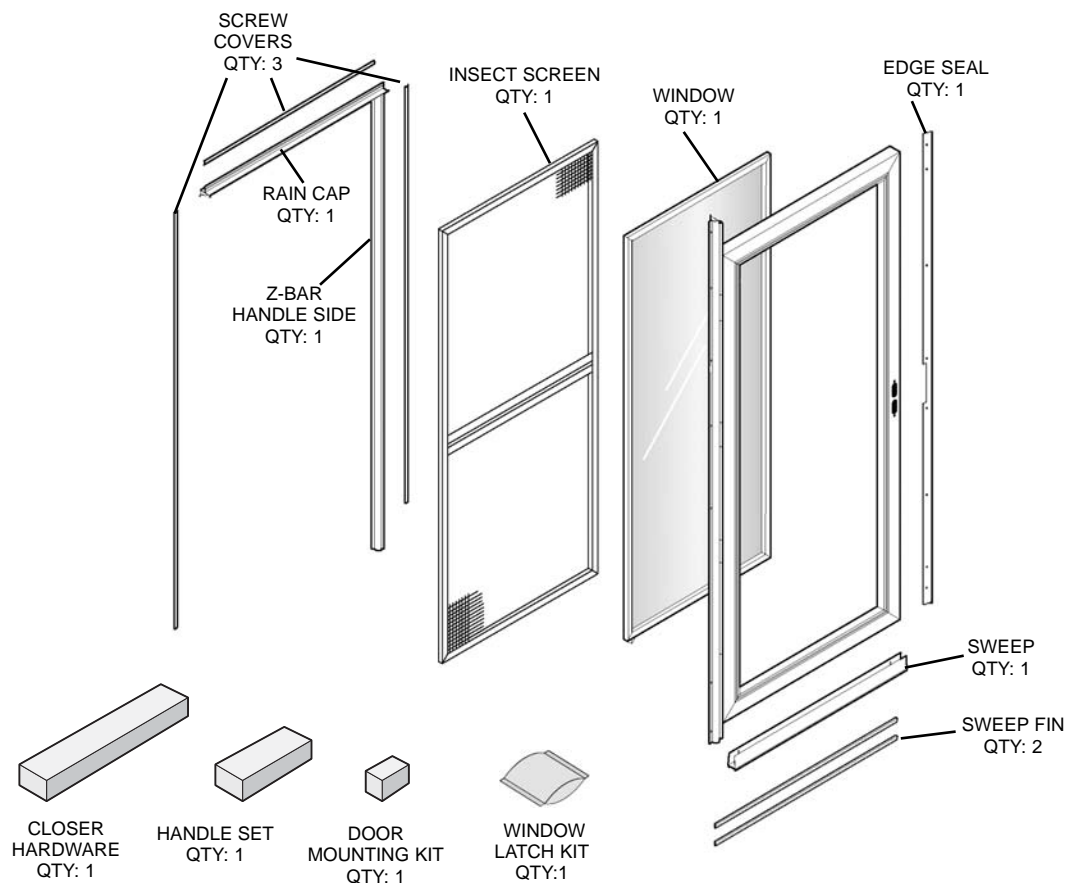
WRITE DOOR SERIAL NUMBER IN THIS SPACE:

Serial number sticker is located on the hinge side of the door.

Refer to this number for warranty service.

* EMCO Enterprises is a wholly owned subsidiary of Andersen Corporation. EMCO manufactures and supports the limited warranties of Andersen®. "Andersen" and the AW logo are registered trademarks of Andersen Corporation and its affiliates. All other marks where denoted are marks of Andersen Corporation and its affiliates. ©2003 Andersen Corporation. All rights reserved.

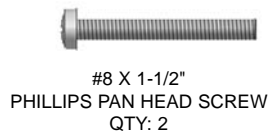
Door Parts For Fullview Door Models:



CLOSER HARDWARE KIT — Use in Step 16



HANDLE SET — Use in Step 10

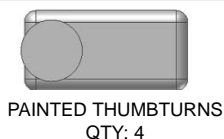


DOOR MOUNTING KIT — Use in Steps 3, 6, 8, 9, 11, and 14

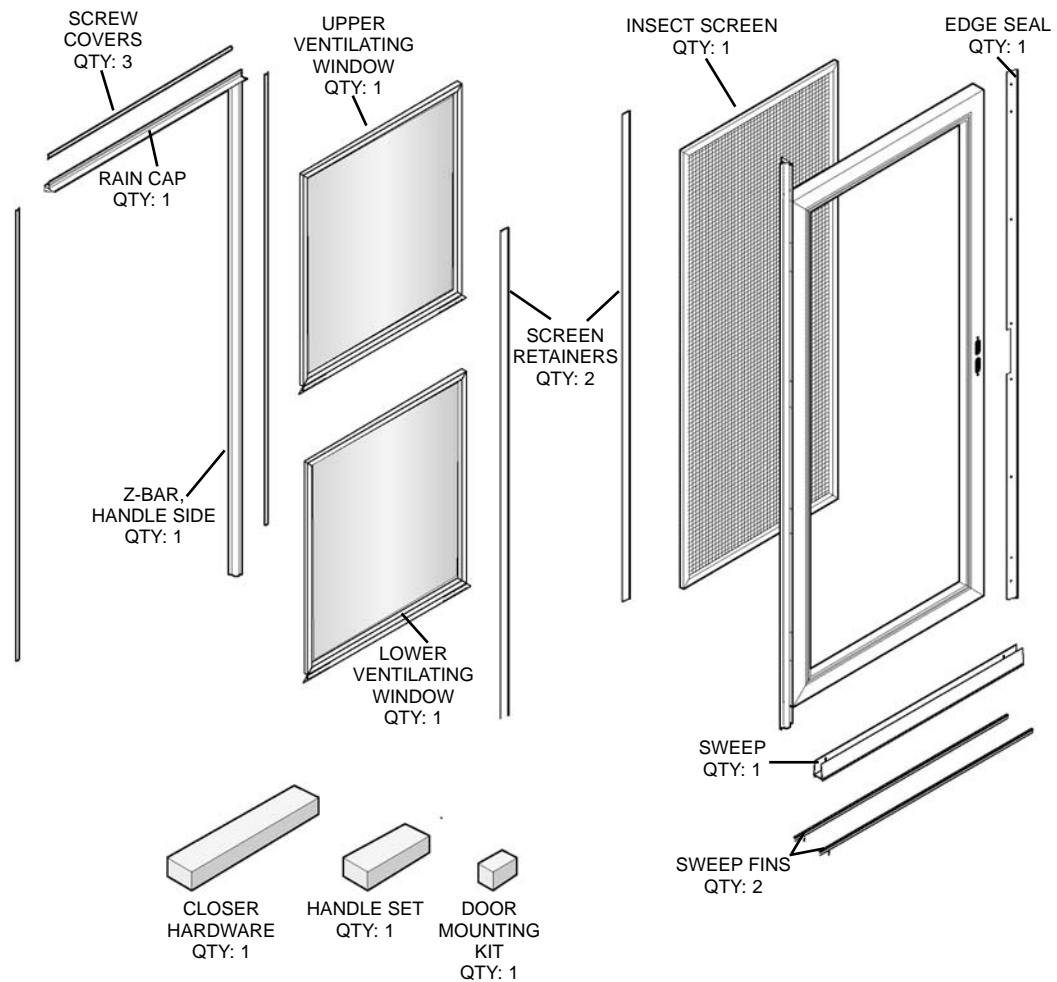


NOTE: THESE SCREWS WILL NOT BE USED ON THIS MODEL.

THUMBURNS — Use in Step 7-1



Door Parts For Triple Track Models:



CLOSER HARDWARE KIT — Use in Step 16



HANDLE SET — Use in Step 10



DOOR MOUNTING KIT — Use in Steps 3, 6, 8, 9, 11, and 14



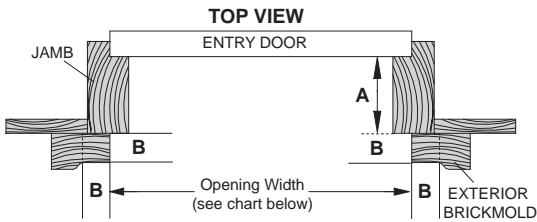
NOTE: THESE SCREWS WILL NOT BE USED ON THIS MODEL.

Pre-installation information

RETAIN THESE INSTRUCTIONS FOR FUTURE REFERENCE.

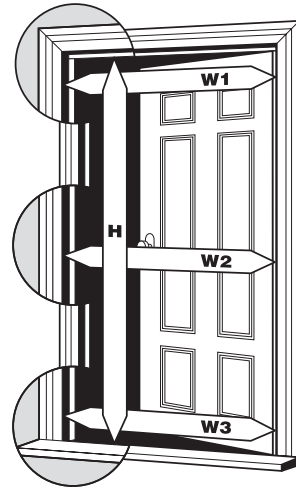
MEASURE THE ENTRYWAY

Measure the height and width of the door even with the brickmold as shown in the illustration. Use the smallest width measurement to determine the opening width. Compare your door opening height and width with the size chart to choose the appropriate size of your new storm door. If the opening does not fall within any of these limits, it will be necessary to rework the door jamb. You may wish to consult a professional carpenter to do so.



Measure A: The depth of the doorway must be a minimum of 2-1/2". This is required for handle clearance.

Measure B: The mounting area for your storm door must be a minimum of 1"x1". This space is required for secure installation.



Height measurement:

H= _____

Smallest Width measurement:

W= _____

STORM DOOR TO DOOR OPENING SIZE CHART

If your door opening dimensions do not fall within these ranges, other adjustments and reworks will be needed to provide a good fit.

| NOMINAL DOOR SIZE | FITS DOOR OPENING SIZES: | |
|-------------------|--------------------------|----------------|
| | WIDTH | HEIGHT |
| 30" x 80" door | 29 3/4" to 30 3/4" | 80" to 80 7/8" |
| 32" x 80" door | 31 3/4" to 32 3/4" | |
| 34" x 80" door | 33 3/4" to 34 3/4" | |
| 36" x 80" door | 35 3/4" to 36 3/4" | |

Z-bar Extender Kits are available for these door opening widths from your Andersen dealer.

| |
|--------------------|
| 30 3/4" to 31 3/4" |
| 32 3/4" to 33 3/4" |
| 36 3/4" to 35 3/4" |
| 36 3/4" to 37 3/4" |

RECOMMENDED TOOLS

- Safety Glasses
- Drill
- Regular screwdriver
- 1/8, 3/32, 5/32" drill bits
- Scissors
- Center punch
- Pliers
- Hacksaw
- Tape measure
- Hammer
- Pencil
- Level
- Tape
- Phillips head screwdriver
- Metal File

! IMPORTANT — BEFORE YOU BEGIN

- To provide for the all-weather performance of your door, please read and follow the instructions carefully.
- If you are installing a double-door kit or sidelight storm window with your door, read those instructions first.
- Please handle your door with care to avoid damage and/or scratches.
- If your door has protective tape, do not remove it until instructed to do so.
- Be sure decorative side of molded frame faces outward.
- Please double-check that you have all of your parts before you discard your carton. All fasteners required for each step are illustrated on page 2 for your convenience.

! WARNING

The insect screen is intended for reasonable insect control and not the retention of objects or persons within the interior. The insect screen material will not stop a person from falling through the door.

! WARNING

Weight of window and door unit(s) and accessories will vary. Use a reasonable number of people with sufficient strength to lift, carry, and install window and door unit(s) and accessories. Always use appropriate lifting techniques.

1. DETERMINE HINGE SIDE:

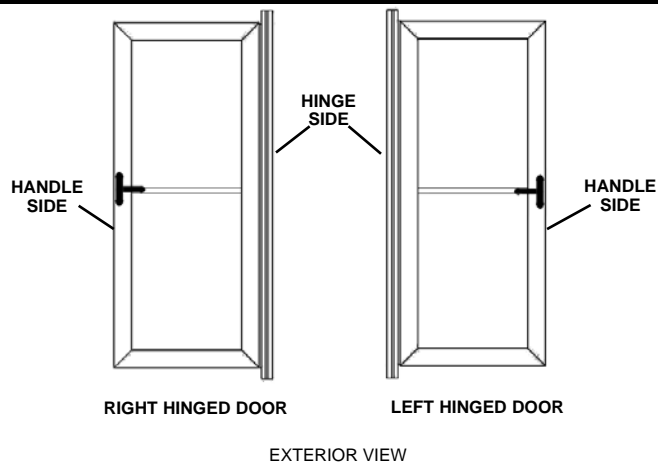
A. The storm door has been designed for either left or right hinged installation. The hinge side will be the side that is the door pivot point. **Be sure that the window latches are to the inside of the door.**

Looking from the outside of a home:

- A **right hinged** door will have the handle on the left.
- A **left hinged** door will have the handle on the right.

B. While door frame is in door opening, hold inside handle (from handle set parts box) in place to make sure it will not interfere with the handle of your front door. If your handles interfere, hinge on opposite side.

C. You may wish to mark the hinge side of the door with a piece of tape for reference.



2-1. REMOVE FULLVIEW WINDOW:

WARNING

Door is heavy. Use at least two people to perform this step.

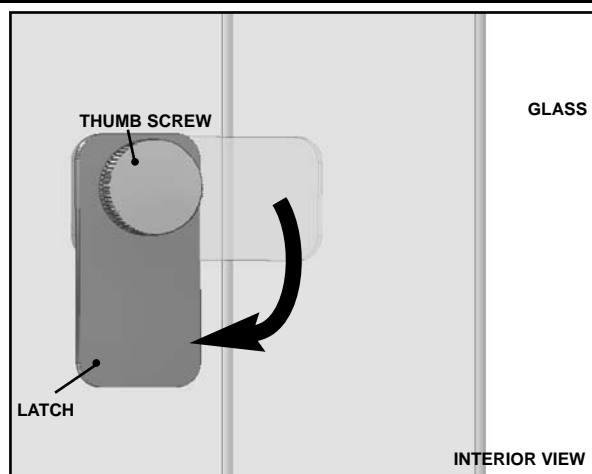
NOTE: IF YOU HAVE A TRIPLE TRACK, PROCEED DIRECTLY TO 2-2.

A: Have helper support door.

B: Using your hand (no tools should be required), turn thumb screw to the left (counterclockwise) until window latches can be turned to vertical position. (Screw only has to be loosened, not removed.)

C: After all thumb screws are loosened, carefully push window or insect screen away from door, supporting it as it tips.

D: Keep window in a vertical position; never store or carry the window flat.



2-2. REMOVE VENTILATING WINDOWS (FOR TRIPLE TRACK MODELS ONLY):

A. Slide glass panel to middle of window by pulling latch handles inward (toward each other) to disengage latches. Once properly positioned, release latch handles.

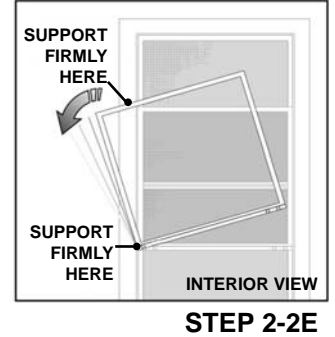
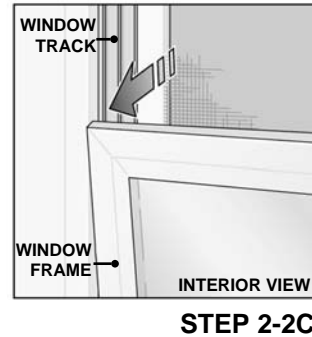
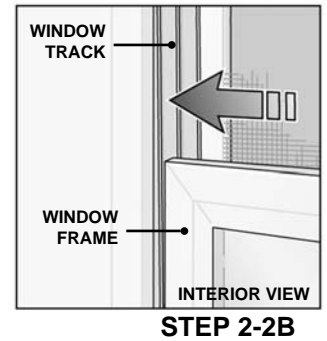
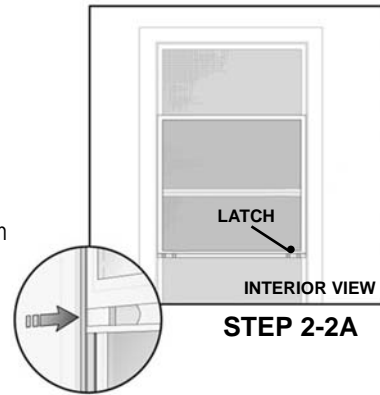
B. Using one hand, depress grey spring-loaded window track (by pushing grey spring-loaded track towards outer edge of frame). With pressure, the grey spring-loaded window track will slightly retract into the door frame.

C. Pull upper left hand corner of the window frame toward you to release it from the window track.

D. Once the right side is cleared from the frame, pull the left latch handle inward to disengage the left latch.

E. Support window firmly at top and bottom. Remove window by "rolling" it counterclockwise.

F. Removing the screen is not necessary for installation, but it does reduce the chance of damaging it. To remove the screen use your forefinger or a blunt object and pull the screen retainer towards the center of the door. Remove the other screen retainer using the same method.

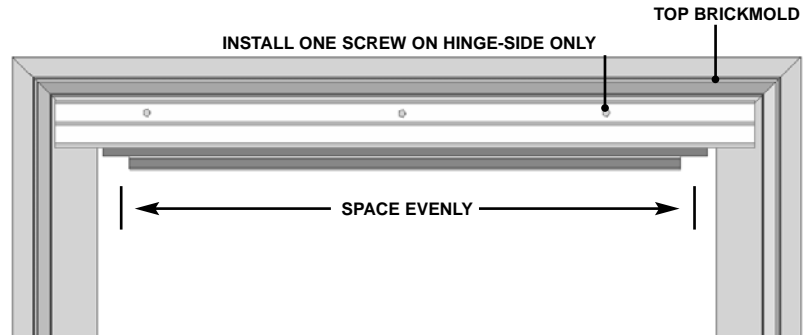
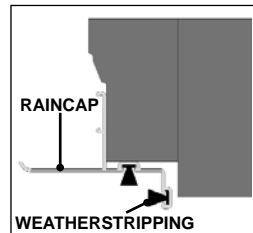


3. INSTALL RAIN CAP:

A. Position the rain cap against top brickmold (with weatherstripping's fuzzy edge outward), centered between door jambs.

B. Holding the rain cap in place, drill a 1/8" pilot hole through the mounting hole on the HINGE side of the rain cap.

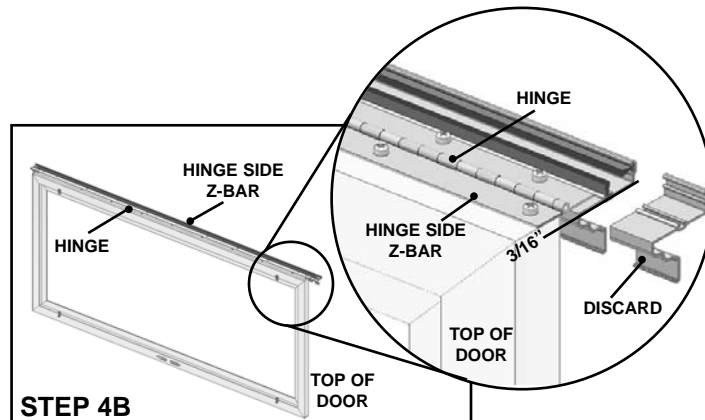
C. Secure the rain cap with a #8 x 1" screw. Do not install the remaining screws at this time.



4. CUT TOP OF HINGE SIDE Z-BAR:

A. To determine which end of hinge side z-bar is top, hold door assembly to the exterior door opening on the side you want to hinge. The screw track will be on the left side for left hinge installation and to the right for right hinge installation. Mark the top of the door with tape.

B. Mark a cutting line on the hinge z-bar 3/16" from the top of the door. Cut the z-bar at that line with a hacksaw.

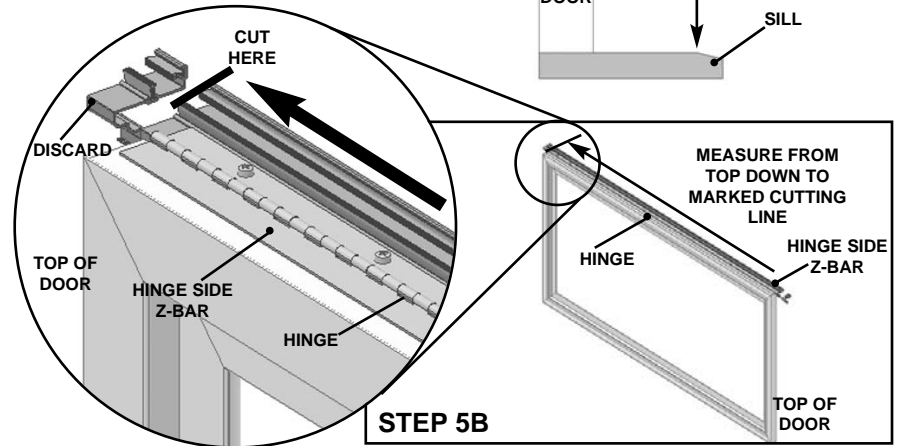


5. CUT HINGE SIDE Z-BAR TO LENGTH:

A. Measure your door opening height on the hinge side from the underside of the raincap to the top of the door sill. This is the measurement that you will use to cut hinge side z-bar to length.

B. Using this height, measure down from the top of the hinge side z-bar. Mark a cutting line at door opening height and cut to length with a hacksaw at bottom of hinge side z-bar. **If bottom of door opening (sill) has an angled slope, you may wish to cut the hinge side z-bar at a slight angle to match.**

Hinge Side Door Opening Height _____



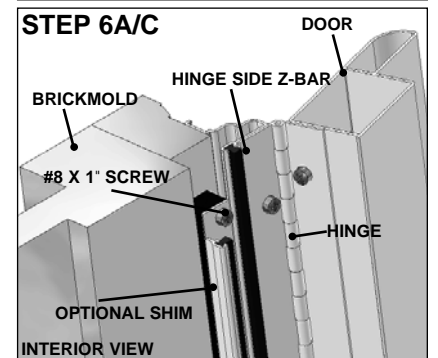
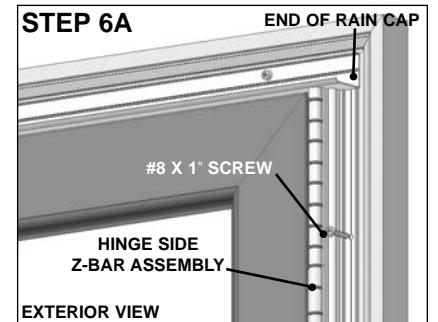
6. PLACE DOOR IN OPENING:

A: Set the door in the opening so that the hinge side z-bar is flush with the end of the rain cap and is tight against the underside of the rain cap. Pre-drill an 1/8" pilot hole through the top mounting hole of the Z-bar into the brickmold and install one (1) #8 x 1" screw.

If you feel that it is necessary, wood shims may be fitted in the gap between the hinge side brickmold and the hinge side Z-bar. Cut three (3) shims to fit the gap. Remove the door and center the shims on the mounting holes on the inside leg of the Z-bar and nail the shims on the hinge side jamb (see illustration 6A/C).

B: Using a level, make sure the hinge side z-bar runs straight up and down. Drill 1/8" pilot holes and install the seven (7) #8 x 1" screws in the remaining holes. **(MAKE SURE THE DOOR OPENS AND CLOSSES FREELY BEFORE PROCEEDING.)**

C: Open the door and drill 1/8" pilot holes through the mounting holes on the inside of the Z-bar into the door jamb. Install three (3) #8 x 1" screws. **NOTE: Do not deform the Z-bar by over tightening the screws. If the Z-bar is deformed from over tightening, the screws may be backed out until the Z-bar is straight.**



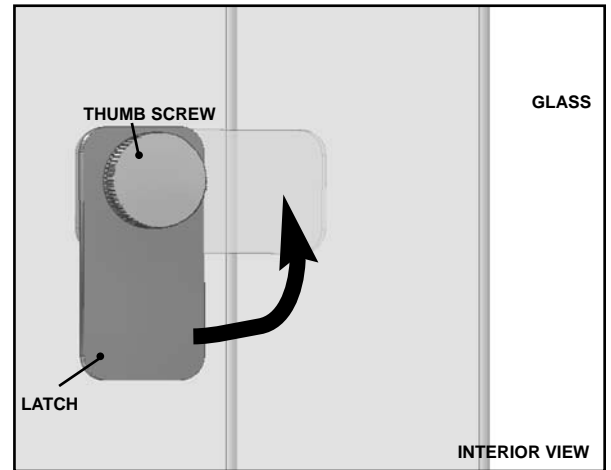
IMPORTANT

Do not deform the Z-bar by over tightening the screws. If the Z-bar is deformed from over tightening, the screws may be backed out until the Z-bar is straight.

7-1. RE-INSTALL FULLVIEW WINDOW UNIT.

NOTE: IF YOU HAVE A TRIPLE TRACK, PROCEED DIRECTLY TO 7-2.

- A: Make sure the four perimeter thumb screws are loosened and latches are in vertical position.
- B: Center window in bottom of door frame and carefully tilt it forward into frame. Make sure the weather seal on the window comes in contact with the door frame.
- C: Have helper support window.
- D: One at a time, move latches to horizontal position.
- E: Using your hand (no tools should be required), turn thumb screw to the right (clockwise) until window latches are secured. Repeat for all four perimeter thumb screws.
- F: Install the remaining four perimeter thumb screws into the door. The remaining four perimeter thumb screws can be found in a separate bag.



7-2. RE-INSTALL VENTILATING WINDOWS (FOR TRIPLE TRACK MODELS ONLY):

Install the screen first if it was removed. With the ribbed side of the screen retainer facing you, insert the flat end into the screen retainer track. Use this method to install the other screen retainer.

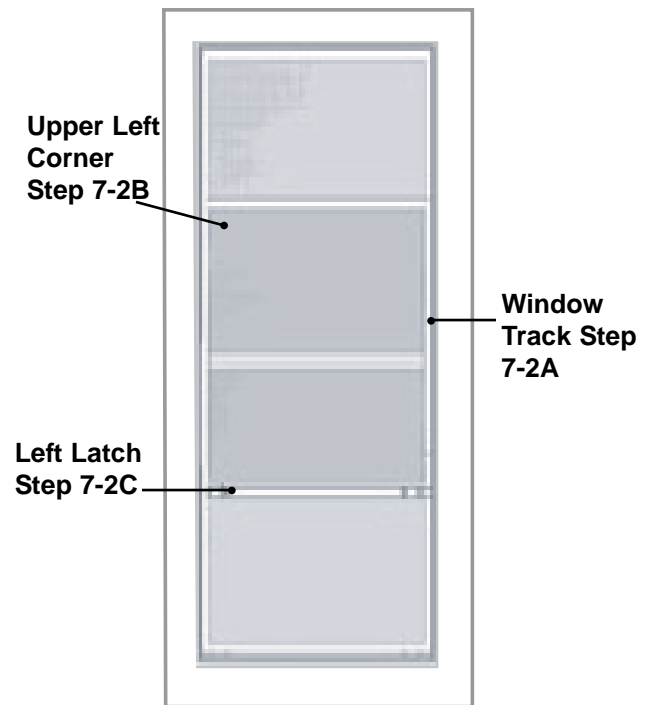
Install Top (Taller) Window (in middle window track).

- A. Position right edge of window frame in right-side middle window track. Maintain pressure to keep window frame and latch edge in the window track.
- B. Using one hand, depress left-side spring-loaded track. Using other hand, place upper left corner of window frame in track.
- C. Retract left latch to allow left side of window to pop into left-side track as you push it into place. To help avoid pinching fingers, always be careful to keep fingers sufficiently away from window frame edge and window track.
- D. Move window to bottom position.

Install Bottom (Shorter) Window (in window track closest to you/toward the inside of your home).

- A. Position right edge of window frame in right-side inner window track. Maintain pressure to keep window frame and latch edge in the window track.
- B. Using one hand, depress left-side spring-loaded track. Using other hand, place upper left corner of window frame in track.
- C. Retract left latch to allow left side of window to pop into left-side track as you push it into place.
- D. Move shorter window to the top position at this time.
- E. Move taller window (middle track) to its top position.
- F. Move shorter window to bottom position.

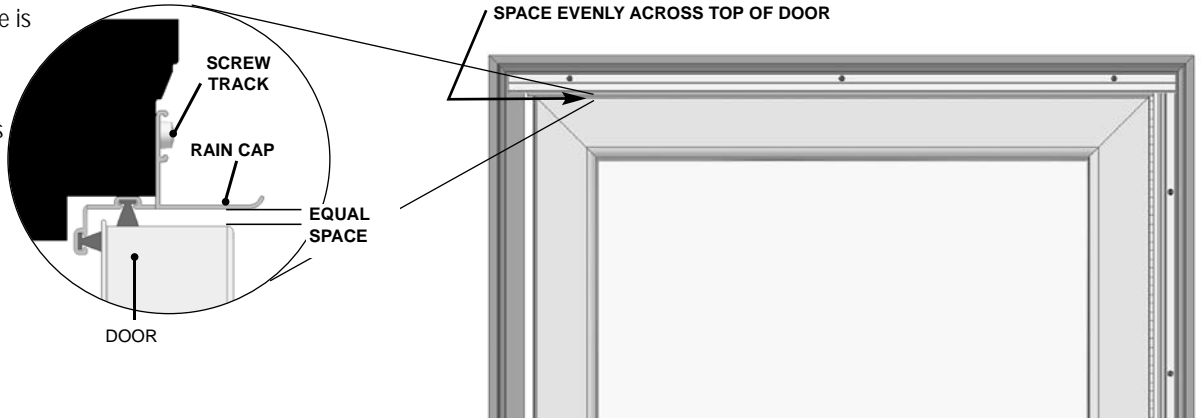
The **shorter** window should be on the **inside track** (closest to you) in the bottom position, and the **taller** window in the **middle track**, in the top position, to keep the elements out.



8. SECURE RAIN CAP:

A. Adjust the rain cap so there is an equal gap all the way across the top of the door.

B. Drill two (2) 1/8" pilot holes install two (2) #8 x 1" screws.



9. CUT AND INSTALL HANDLE SIDE Z-BAR:

A: To determine which end of the handle side z-bar is top, hold handle side z-bar up to door opening opposite hinge side z-bar. The weatherstripping will face the door opening. Mark top of handle side z-bar with tape for future reference

IMPORTANT

Mark top of handle side z-bar with tape to help identify later in the installation. Cut to length at bottom.

B: The handle side z-bar will need to be cut to the handle side opening door height. To do so, measure the door opening height on the handle side from the underside of rain cap to the top of door sill.

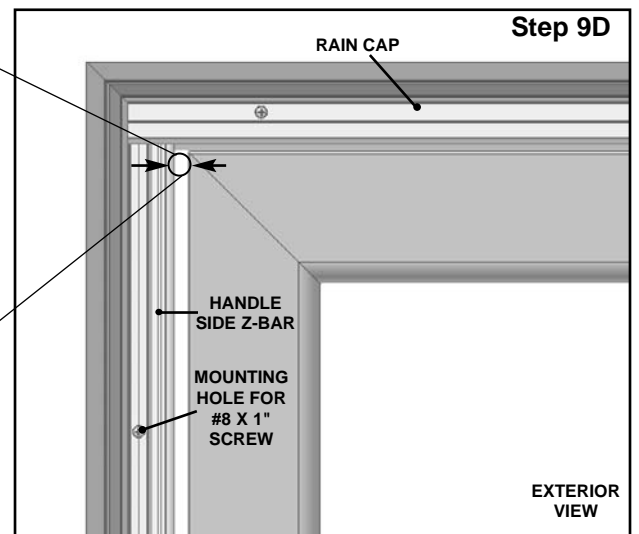
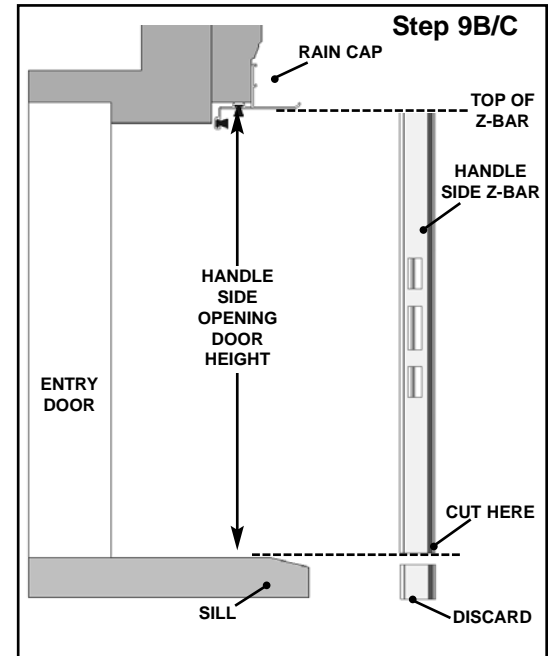
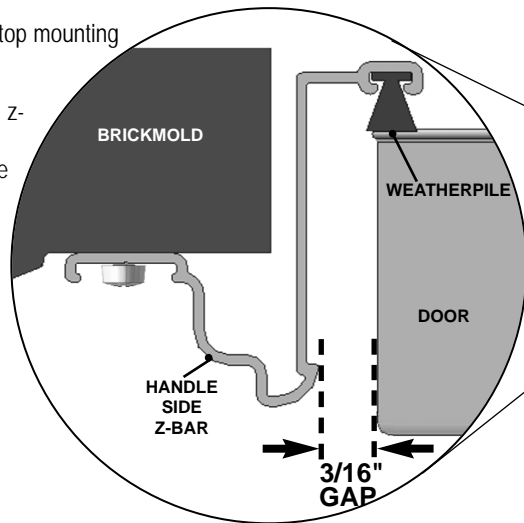
Handle Side Door Opening Height _____

C: Using this measurement, measure down from top of handle side z-bar. Mark a cutting line at the door opening height and cut to length with a hacksaw at the bottom of the handle side z-bar. If bottom of door opening (sill) has an angled slope, you may wish to cut the hinge side z-bar at a slight angle to match.

D: Set handle side z-bar in door opening so the top is pushed against underside of rain cap. Maintain a consistent 3/16" gap (shimming may be required) between handle side z-bar (adjust z-bar as needed) and side edge of door.

E: Drill a 1/8" pilot hole through top mounting hole and into brickmold.

F: Secure top of the handle side z-bar with one (1) #8 x 1" screw. Re-check to make sure you have maintained the 3/16" gap and drill 1/8" pilot holes through the remaining mounting holes. Install the remaining six (6) #8 x 1" screws.



IMPORTANT

Remove clear protective tape from door frame before continuing.

10. INSTALL HANDLE SET:

Follow the instructions in the **Handle Set Kit** to install the door handles.

11. ASSEMBLE AND INSTALL SWEEP:

A: Slide the sweep fin into the fin track flush with sweep end. Use pliers to squeeze track legs on both ends of sweep to secure fin and trim off excess.

IMPORTANT

Remove protective tape from sweep.

B: Slide sweep over base of door with mounting slots on inside of door. Align end of door sweep with handle side edge of door frame. Position sweep so both ends of sweep fin touch door sill completely.

C: Mark and drill 1/8" pilot holes into door through sweep mounting slots.

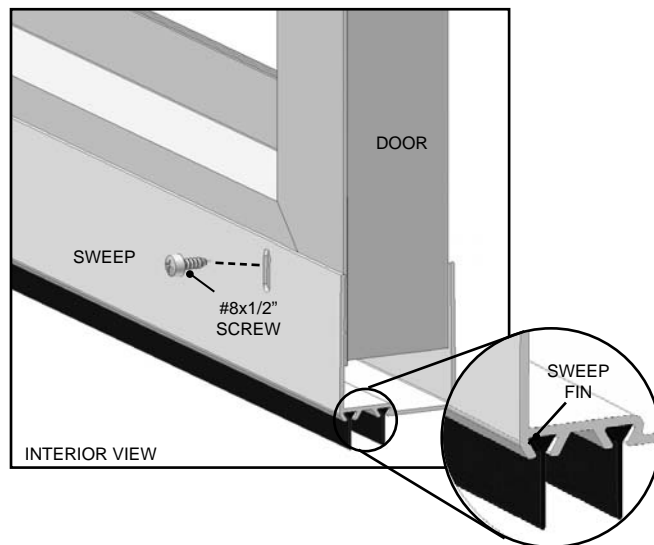


CAUTION

Do not drill completely through door. This will create an unnecessary hole in your door, resulting in water and air infiltration.

D: Secure sweep using the two (2) #8 x 1/2" screws provided.

NOTE: Sweep is intentionally narrower than the door.

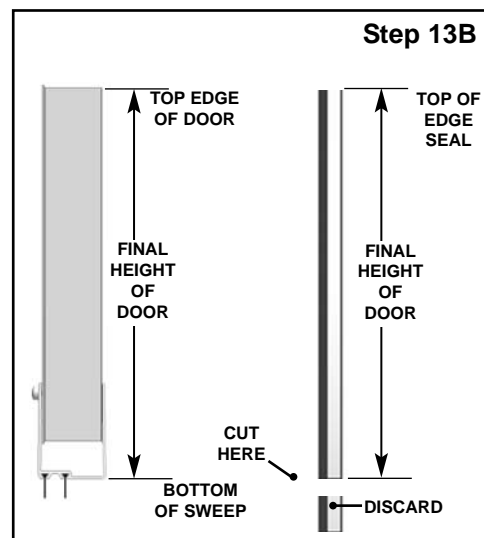


12. CUT EDGE SEAL:

A: Hold edge seal up to handle side of door so round side faces outside and weather pile seals against handle side z-bar. Mark top of edge seal with a piece of tape.

B: The edge seal will need to be cut to the final height of the door. Measure from the top of door to bottom of sweep. With this height, measure from top of edge seal, mark a cutting line and cut at mark.

Edge Seal Height _____

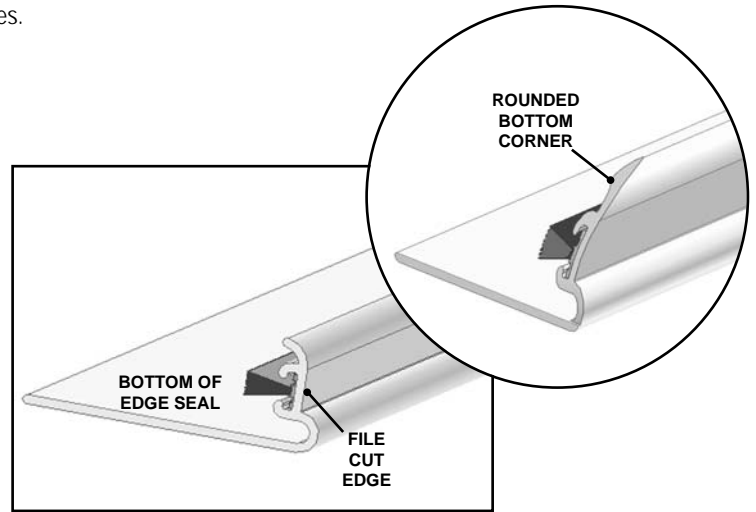


13. FILE EDGE SEAL:

A. Round the bottom corner of the edge seal with a metal file to avoid sharp edges.

! WARNING

Once the edge seal is cut to length, generously round the bottom corner of the edge seal with a metal file to avoid sharp edges, which could result in injury.

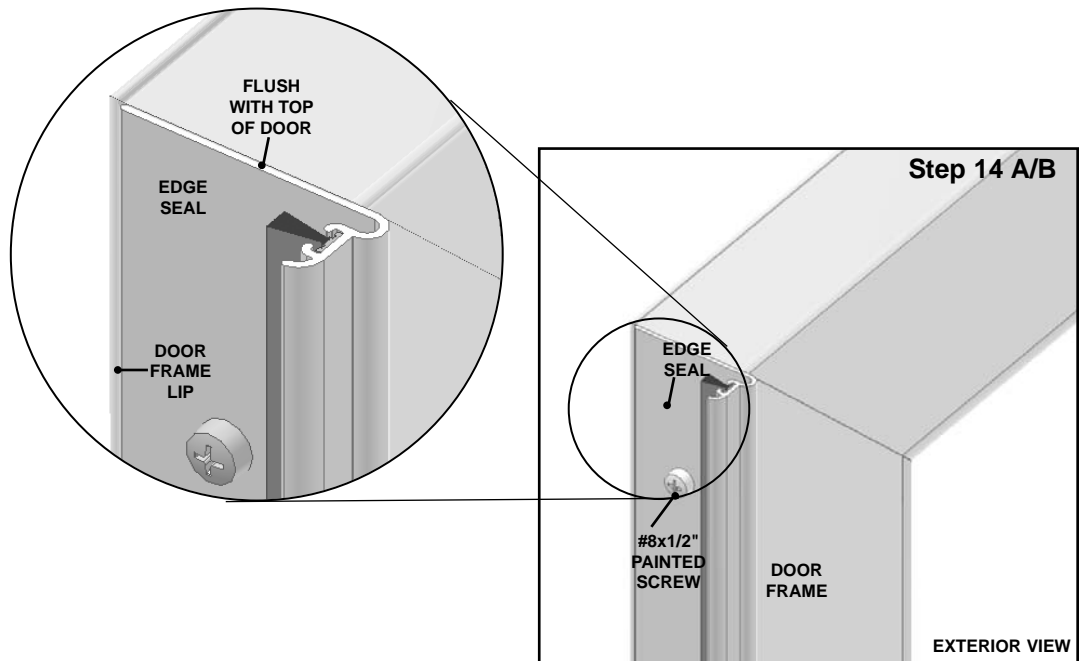


14. CUT EDGE SEAL:

A: Place edge seal on door, top of edge seal is to be flush with top of door and back edge is to be against door frame lip.

B: Drill a 1/8" pilot hole through top mounting hole in edge seal. Secure with one #8 x 1/2" painted screw.

C: Pre-drill remaining seven (7) holes and secure edge seal with #8 x 1/2" painted screws.

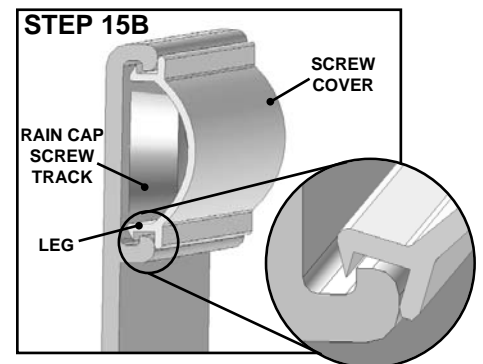
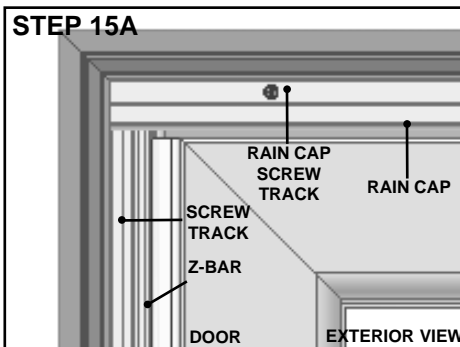


15. INSTALL SCREW COVERS:

A: Locate the hinge side screw track, handle side screw track, and rain cap screw track.

B: Lock front leg of screw cover in notch of screw track. Use forefingers to apply pressure to other leg to snap it into the track. Make sure that the screw covers snap into the screw track along the entire length of the rain cap and both z-bars.

C: Trim off any excess that may remain with a razor knife or sharp scissors.



16. INSTALL DOOR CLOSERS:

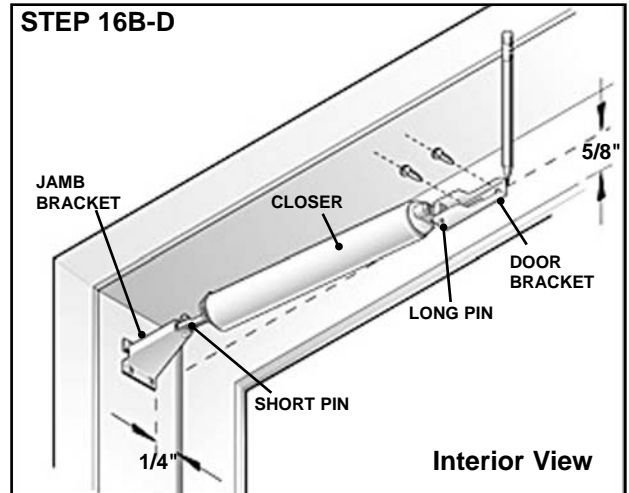
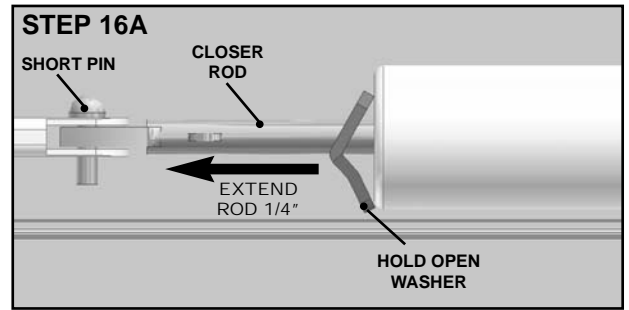
MAKE SURE DOOR WILL OPEN AND CLOSE FREELY BEFORE MOUNTING CLOSER AT TOP OF DOOR.

A: Attach either closer to jamb bracket with short pin. With closer attached, extend closer until rod is extended approximately 1/4" and hold it in place by securing the hold open washer.

B: Open the door and measure up 5/8" (1.6 cm) from the top of the window opening on the room side and mark a line on the door frame extending it to the door jamb. Center the jamb bracket on this line setting it back 1/4" (0.6 cm) from the z-bar. Drill four (4) 5/32" pilot holes and secure the jamb bracket with four (4) #10 x 2" screws to door jamb.

C: Attach door bracket to outer hole of closer with long pin. CLOSE STORM DOOR. Swing closer assembly so door bracket touches door frame and level.

D: Center the holes of the door bracket on the line drawn on the door. Drill two (2) 5/32" pilot holes at these locations. Secure the assembly to the door with two (2) #12 x 5/8" screws.



CAUTION

Do not drill completely through door. This will create an unnecessary hole in your door resulting in water and air infiltration.

E: Repeat steps A-D above to install the bottom closer, except measure down 3/4" (1.9 cm) from the bottom of the window opening.

17. ADJUSTING THE CLOSER:

A: Locate adjustment screw on the end of closer that attaches to the door frame.

B: Open door, then let it close to note current closing speed.

C: Use Phillips-head screwdriver to adjust closer to desired speed.

1. For faster closing speed, turn adjustment screw to the left (counterclockwise).
2. For slower closing speed, turn adjustment screw to the right (clockwise).
3. Test door (open it, then let it close) after each adjustment of the screw, and then adjust screw further (if needed) until desired speed is achieved.

D: (Optional) If more closing power is required, attach door bracket to the inner hole of the closer.

E: Unhook top closer by removing pin that attaches it to the door bracket.

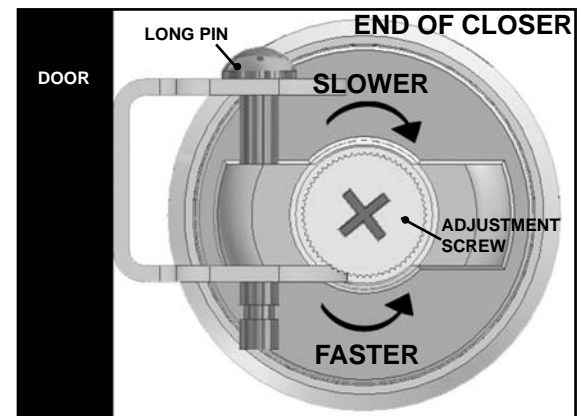
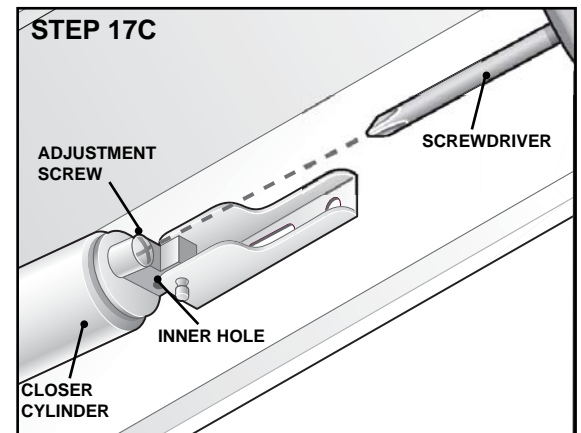
F: Using steps 1-3 above, adjust bottom closer to desired speed.

G: Reattach top closer.

H: Unhook bottom closer by removing pin that attaches it to the door bracket.

I: Using steps 1-3 above, adjust top closer to desired speed.

J: Reattach bottom closer.



PRODUCT WARRANTY

LIMITED WARRANTY

Subject to the exclusions and limitations described below, doors including the hinge are warranted by EMCO Enterprises, Inc. (EMCO) against manufacturing defects, under normal use, for as long as the original consumer purchaser owns the home on which the door was initially installed.

Thermal glass doors carry the same limited warranty as above, except INSULATING GLASS COMPONENTS are warranted for a period of twenty (20) years* from the date of original retail purchase (or, if for a shorter period, for as long as the original consumer purchaser owns the home on which the door was initially installed) against material obstruction to vision due to defects in materials or workmanship which results, under normal use, in film formation or dust collection on the interior glass surface caused exclusively by the failure of a hermetic seal (other than through glass breakage).

Painted finish on aluminum frame doors and the molded-through finish on UltraCore® and Store-In-Door™ (polypropylene) doors is warranted against manufacturing defect and adhesion defect under normal use for as long as the original consumer purchaser owns the home on which the door was initially installed. Painted finish on painted polypropylene frame doors (Store-in-Door™ door models with traditional or crossbuck design) is warranted against manufacturing defects and adhesion defects under normal use, for a period of up to one year from the date of purchase by the original consumer purchaser. This limited warranty is not transferable to subsequent purchasers.

Locksets, closers and door sweeps are warranted for a period of one year from the date of original retail purchase (or, if for a shorter period, for as long as the original consumer purchaser owns the home on which the door was initially installed). Glass (except as provided above) and screen fabric are excluded from this warranty coverage.

During the applicable warranty period (and upon written proof of purchase) a door or door components covered by this limited warranty will be repaired or replaced at EMCO's option, without charge. This limited warranty will not apply if the door or other component has been misused, abused or altered. This limited warranty excludes breakage, lack of maintenance, normal effects of sun and weather, severe wind, and normal wear and tear. Replacements and repairs made under this limited warranty are warranted for the remainder of the warranty period applicable to the original product.

Labor is not included in this limited warranty. For consumer assistance under this limited warranty, call 1-800-933-3626. Replacements and repairs made under this limited warranty are warranted for the remainder of the warranty period applicable to the original product.

EMCO'S LIABILITY UNDER THIS LIMITED WARRANTY IS LIMITED TO THE REMEDIES SET FORTH ABOVE AND EXCLUDES ALL INCIDENTAL AND CONSEQUENTIAL DAMAGE. ALL IMPLIED WARRANTIES INCLUDING MERCHANTABILITY AND FITNESS FOR A PARTICULAR PURPOSE WILL EXPIRE WITH THE TERM OF THIS LIMITED WARRANTY.

Some states do not allow the exclusion of incidental and consequential damage, so the above may not apply to you. This limited warranty gives you specific legal rights, and you may also have other rights that vary from state to state.

*Doors with thermal glass purchased prior to January 1, 2002 have a five (5) year limited warranty.

BRASS AND NICKEL COMPONENTS

LIMITED WARRANTY

Warranted to keep its genuine beauty for as long as you own your home or EMCO replaces or repairs it.

EMCO Enterprises, Inc. (EMCO) warrants that the brass or nickel handle set and sweep are warranted to keep their genuine-brass finish for as long as the original consumer purchaser owns the home on which the door containing such brass parts was initially installed, or they will be repaired or replaced at no additional charge.

Brass and nickel limited warranty is effective for all applicable doors sold after January 1, 1999.

All submissions for replacement or repair under this limited warranty must be made by the purchaser through the EMCO Express Service Hotline at 1-800-933-3626, in order to qualify for this warranty coverage.

Upon written proof of purchase and the submission of the door serial number, the brass hardware will be repaired or replaced at our option, without charge.

This limited warranty will not apply if the hardware has been misused, abused or altered. This limited warranty does not apply to inside painted hardware or the function of all locksets and lockset components (see product warranty for complete hardware product limited warranty information).

Labor is not included in this limited warranty. For consumer assistance under this limited warranty, call 1-800-933-3626.

Replacements and repairs made under this limited warranty are warranted for the remainder of the warranty period applicable to the original product.

EMCO'S LIABILITY UNDER THIS LIMITED WARRANTY IS LIMITED TO THE REMEDIES SET FORTH ABOVE AND EXCLUDES ALL INCIDENTAL AND CONSEQUENTIAL DAMAGE. ALL IMPLIED WARRANTIES INCLUDING MERCHANTABILITY AND FITNESS FOR A PARTICULAR PURPOSE WILL EXPIRE WITH THE TERM OF THIS LIMITED BRASS COMPONENT WARRANTY.

Some states do not allow the exclusion of incidental and consequential damage, so the above may not apply to you. This limited warranty gives you specific legal rights, and you may also have other rights which vary from state to state.

"OOPS-PROOF" INSTALLATION

LIMITED WARRANTY

EMCO Enterprises, Inc. (EMCO) warrants that any part lost or miscut during the original installation of your door will be repaired or replaced at no additional charge. Mis-drilling is not included in this warranty.

To qualify for this limited warranty coverage, all submissions for replacement or repair under this limited warranty must be made by the original purchaser within ninety (90) days of the date of original purchase by calling the EMCO Express Service Hotline at 1-800-933-3626.

Upon written proof of purchase and submission of the door serial number, the part will be repaired or replaced at EMCO's option, without charge. This limited warranty will not apply if the part has been misused, abused or altered.

Labor is not included in this limited warranty. For consumer assistance under this limited warranty, call 1-800-933-3626.

Replacements and repairs under this limited warranty are warranted for the remainder of the warranty period applicable to the original product.

EMCO'S LIABILITY UNDER THIS LIMITED WARRANTY IS LIMITED TO THE REMEDIES SET FORTH ABOVE AND EXCLUDES ALL INCIDENTAL AND CONSEQUENTIAL DAMAGE. ALL IMPLIED WARRANTIES INCLUDING MERCHANTABILITY AND FITNESS FOR A PARTICULAR PURPOSE WILL EXPIRE WITH THE TERM OF THIS LIMITED WARRANTY.

Some states do not allow the exclusion of incidental and consequential damage, so the above may not apply to you. This limited warranty gives you specific legal rights, and you may have other rights that may vary from state to state.